

# State of Wyoming Corner Record

(In compliance with the *CORNER PERPETUATION AND FILING ACT*, Wyoming Statutes, 1997 Section 33-29-140 et. se., and the Rules and Regulations of the Board of Professional Engineers and Professional Land Surveyors)

Reverse side of this form may be used if more space is needed.

Record of original survey and citation of source of historical information (if corner is lost or obliterated). Description of corner monumentation evidence found and/or monument and accessories established to perpetuate the location of this corner. Sketch of relative location of monument, accessories, and reference points with course and distance to adjacent corner(s) (if determined in this survey). Method and rationale for re-establishment of lost or obliterated corner.

**RECORD:** G.L.O. survey by Charles H. Caton in 1873; a Limestone 16x12x4, set 10 inches deep, marked with 5 notches on south and 5 notches on east face.

**FOUND:** 18x18x6 inch Limestone, loose in rock mound, 30ft east of south-east fence. Stone has excellent marks on south and poor marks on east, which is side stone was laying on. Reset stone 9 inches above ground at east-west fence.

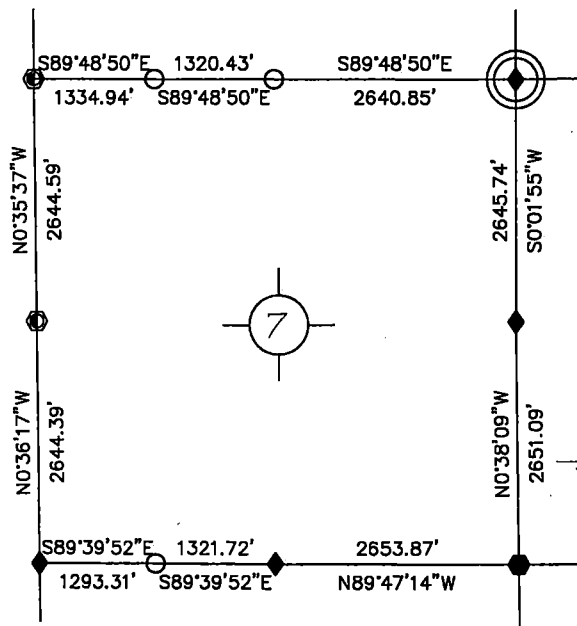
**Re-monumentation:** 2.0 inch aluminum cap on 5/8x24 inch rebar marked "CORNER ACCESSORY" to west edge of stone as shown in sketch.

NOTE:  
COORDINATES SHOWN ARE BASED UPON  
NAD83 WY EAST ZONE AND NAVD 88  
VERTICAL DATUM USING GEOID 12B  
FROM HARN NGS PID# MN0253 "D50"

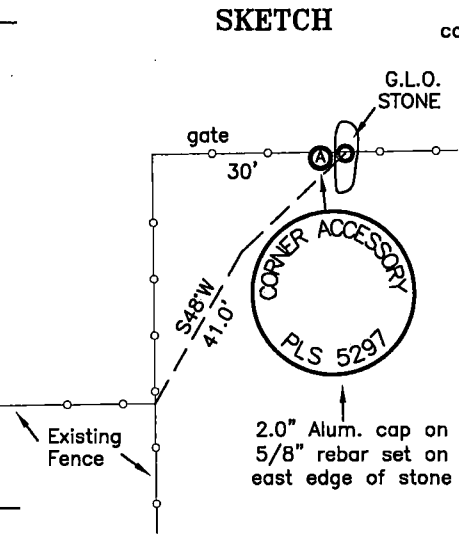
Point #	North	East	Elev.
1761072	351919.61	913518.61	5487.45

NOTE:  
BEARINGS AND DISTANCES SHOWN HEREON ARE  
BASED UPON GRID USING NAD83 WYOMING EAST  
ZONE AND TRIMBLE R8 GPS OBSERVATION

## Monument Location

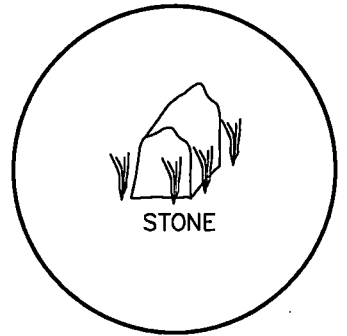


### SKETCH



corner referenced this record =

### LARAMIE COUNTY



### Monument Inscription

Date of Field Work: Oct. 15, 2019

Office Reference: DRG-21992, Pt.1761072

### Cross Index Plat

1 2 3 4 5 6 7 8 9 10 11 12 13 14 15 16 17 18 19 20 21 22 23 24 25																								
A	+	+	+	+	+	+	+	+	+	+	+	+	+	+	+	+	+	+	+	+	+	+	+	A
B	+	+	+	+	+	+	+	+	+	+	+	+	+	+	+	+	+	+	+	+	+	+	+	B
C	6	5	4	3	2	1	+	+	+	+	+	+	+	+	+	+	+	+	+	+	+	+	+	C
D	+	+	+	+	+	+	+	+	+	+	+	+	+	+	+	+	+	+	+	+	+	+	+	D
E	+	+	+	+	+	+	+	+	+	+	+	+	+	+	+	+	+	+	+	+	+	+	+	E
F	+	+	+	+	+	+	+	+	+	+	+	+	+	+	+	+	+	+	+	+	+	+	+	F
G	7	8	9	10	11	12	+	+	+	+	+	+	+	+	+	+	+	+	+	+	+	+	+	G
H	+	+	+	+	+	+	+	+	+	+	+	+	+	+	+	+	+	+	+	+	+	+	+	H
J	+	+	+	+	+	+	+	+	+	+	+	+	+	+	+	+	+	+	+	+	+	+	+	J
K	+	+	+	+	+	+	+	+	+	+	+	+	+	+	+	+	+	+	+	+	+	+	+	K
L	18	17	16	15	14	13	+	+	+	+	+	+	+	+	+	+	+	+	+	+	+	+	+	L
M	+	+	+	+	+	+	+	+	+	+	+	+	+	+	+	+	+	+	+	+	+	+	+	M
N	+	+	+	+	+	+	+	+	+	+	+	+	+	+	+	+	+	+	+	+	+	+	+	N
O	+	+	+	+	+	+	+	+	+	+	+	+	+	+	+	+	+	+	+	+	+	+	+	O
P	19	20	21	22	23	24	+	+	+	+	+	+	+	+	+	+	+	+	+	+	+	+	+	P
Q	+	+	+	+	+	+	+	+	+	+	+	+	+	+	+	+	+	+	+	+	+	+	+	Q
R	+	+	+	+	+	+	+	+	+	+	+	+	+	+	+	+	+	+	+	+	+	+	+	R
S	+	+	+	+	+	+	+	+	+	+	+	+	+	+	+	+	+	+	+	+	+	+	+	S
T	30	29	28	27	26	25	+	+	+	+	+	+	+	+	+	+	+	+	+	+	+	+	+	T
U	+	+	+	+	+	+	+	+	+	+	+	+	+	+	+	+	+	+	+	+	+	+	+	U
V	+	+	+	+	+	+	+	+	+	+	+	+	+	+	+	+	+	+	+	+	+	+	+	V
W	+	+	+	+	+	+	+	+	+	+	+	+	+	+	+	+	+	+	+	+	+	+	+	W
X	31	32	33	34	35	36	+	+	+	+	+	+	+	+	+	+	+	+	+	+	+	+	+	X
Y	+	+	+	+	+	+	+	+	+	+	+	+	+	+	+	+	+	+	+	+	+	+	+	Y
Z	+	+	+	+	+	+	+	+	+	+	+	+	+	+	+	+	+	+	+	+	+	+	+	Z
1 2 3 4 5 6 7 8 9 10 11 12 13 14 15 16 17 18 19 20 21 22 23 24 25																								

Firm/Agency, Address

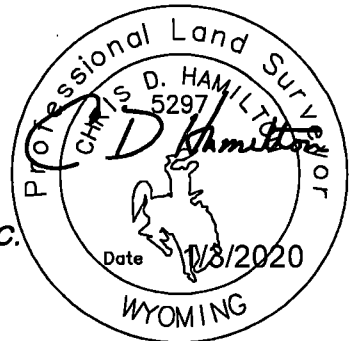
this corner record provided by:

**HAMILTON  
LAND  
SURVEYING**

UNDER CONTRACT TO:

**DRG** **RIFFIN & ASSOCIATES, INC.**  
1414 ELK ST., SUITE 202  
ROCK SPRINGS, WY 82901  
(307) 362-5028

This corner record was prepared by me or under my direction and supervision.  
**SEAL & SIGNATURE**



RECP #: 769476  
RECORDED 1/15/2020 AT 2:04 PM BK# 2655 PG# 1765  
Debra K. Lee, CLERK OF LARAMIE COUNTY, WY PAGE 1 OF 1

STATE of WYOMING, Office of Clerk & Recorder, County of Laramie  
this block provided for county filing documentation

Corner Name: Northeast , Section: 7 , T 17N , R 61W , 6th P.M. , Cross-Index No.: E-05